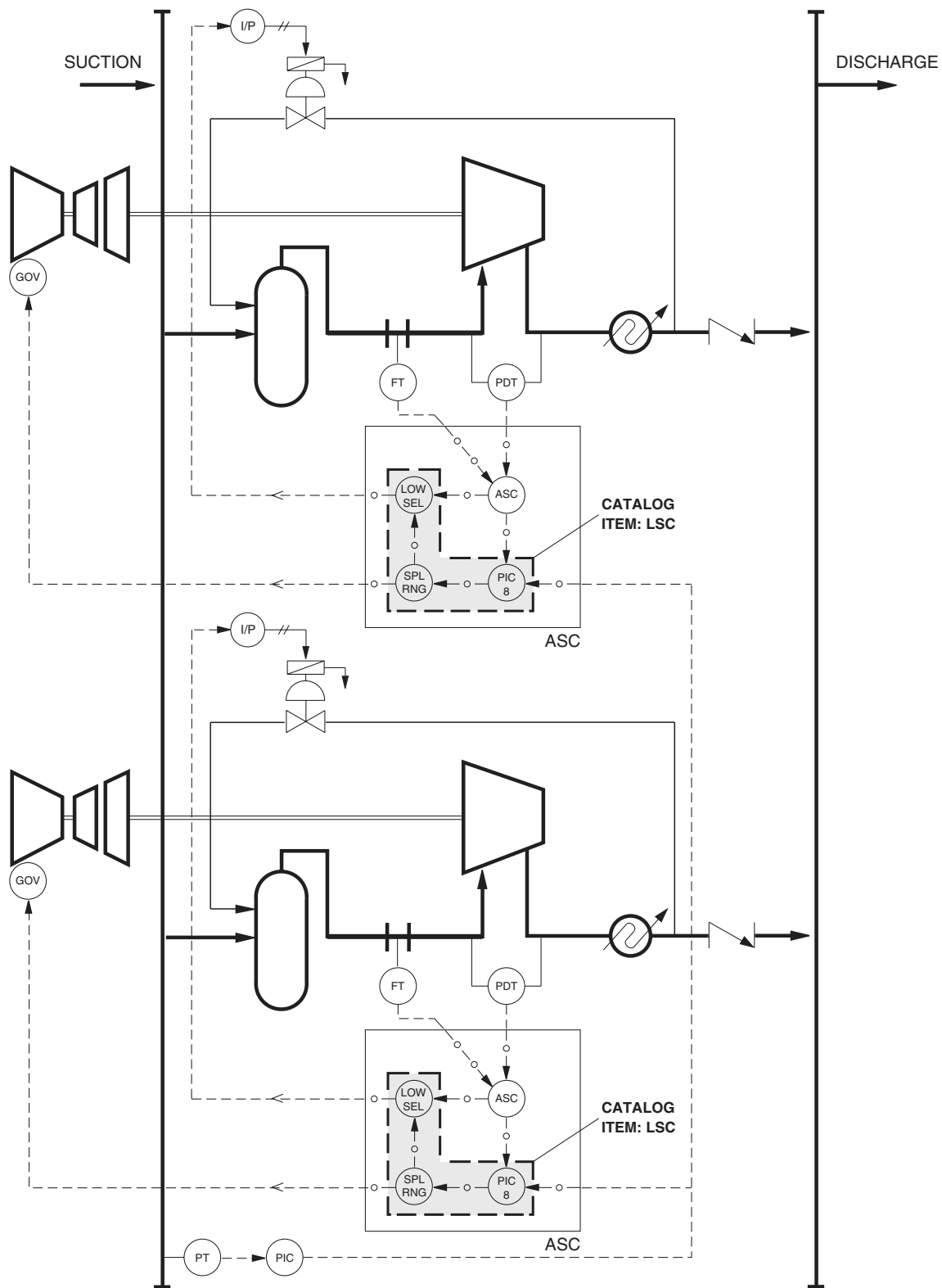


SINGLE BODY LOADSHARE CONTROLLER



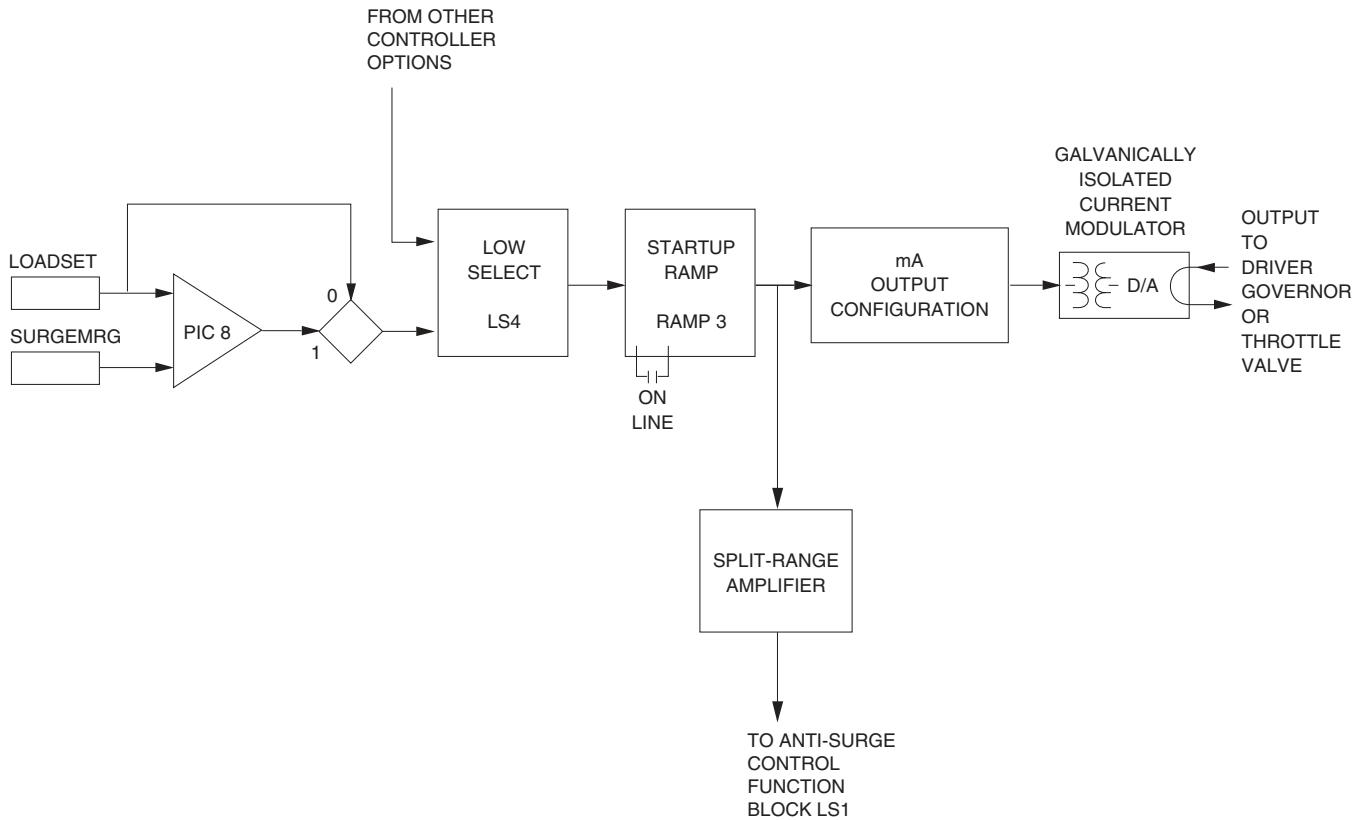
MAY 2012



Simplified instrument diagram showing the LOADSHARE CONTROLLER (PIC 8) option using ASC measurements to provide speed or throttle adjustment for equal surge margin operation of multiple compressors in parallel. The output can control a driver governor as shown, or a throttle valve.



SIMPLIFIED FUNCTIONAL BLOCK DIAGRAM



TUNING, SETPOINTS, AND CONFIGURATION

- Select loadshare controller service:
 - 0 = Not in service
 - 1 = In service
- Loadshare controller tuning constants.
- Output configuration:
 - Minimum mA
 - Maximum mA
 - Direct/reverse

SCOPE OF SUPPLY

Catalog item LSC, Loadshare Controller option, includes:

- All of the control functions shown above, added to a ASC application control package operating on a PLC hardware platform.

Not included:

- Multiple-Body Integrated Compressor Control application control package (required).
- PLC hardware.

Petrotech, Inc.
 151 Brookhollow Esplanade
 New Orleans, Louisiana 70123
 USA

Phone: (504) 620-6600
 Fax: (504) 620-6601
 Email: info@petrotechinc.com
 Website: www.petrotechinc.com